

Features

- Must be used in conjunction with an EPV-7500-* vent
- Panel mount, square panel
- Universal power: AC or DC
- Touch screen display with LEDs for easy visual indication
- Easy setup with pre-set purge programs for your application
- Automatic pressure compensation with digital manifold
- Rugged, corrosion-resistant housing
- Global third-party approvals for Class I, II, Div. 2 and Zone 2/22
- Manual valve, no electrical power requirement
- Purge and pressurization valving in one device

Application

The 7500 series panel/external mount purge and pressurization system consists of a control unit and a 7500-MAN-MV-01 manual manifold mounted to a panel. The control unit's menu-driven touch screen display makes it easy to select pre-programmed and user-selected variables. The display has 4 LED indicators that allow users to determine system condition from a distance. See the 7500 control unit datasheet for technical data.

The 7500-MAN-MV-01 manifold combines in one compact housing a ball valve for purging and a needle valve for pressurizing an enclosure. The ball valve has a handle for easy actuation. To provide security and prevent tampering, the needle valve requires a slot-head screwdriver to set the enclosure pressure. See the 7500-MAN-MV-01 manifold datasheet for technical data.

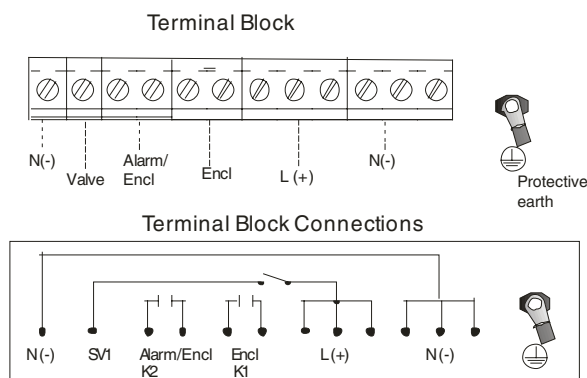
The 7500 series system has NEC, CEC, ATEX, and IECEx third-party certifications for Class I, II/Div. 2 Type Z and Zone 2/22 Ex pzc.




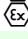
BEBCO EPS®

Connection

Electrical Connections



Release date 2019-07-24 23:13 Date of issue 2019-07-24 70110788_eng.xml

General specifications	
Equipment architecture	max. enclosure size 450 ft ³ (12.7 m ³) For complete technical data, see the 7500 Control Unit and 7500-MAN-MV-01 datasheets
Operating mode	fully automatic (FA)
Series	7500
Hazardous environment	gas or dust
Directive conformity	
Electromagnetic compatibility	
Directive 2014/30/EU	EN 61326-1:2013 , FCC CFR 47, part 15, subpart B: 2017, Class A ICES-003, Issue 6:2016, Class A ITE
RoHS	
Directive 2011/65/EU (RoHS)	EN 50581:2012
Conformity	
Degree of protection	Directive conformity: see Declaration of Conformity
Ambient conditions	
Ambient temperature	Ambient temperature ranges depend on the T class. See the certificates.
Storage temperature	-40 ... 80 °C (-40 ... 176 °F)
Mechanical specifications	
Degree of protection	Mounting to enclosure Type 4X / IP66
Material	screws: AISI 316 (1.4401), 304, or 18-8 stainless steel housing: A380, A356, 6061-T6 aluminum casting mounting gasket: Bisco® HT-800 medium cellular silicone
Mass	2.5 kg (5 lb 10 oz)
Data for application in connection with hazardous areas	
Certificate	
Marking	 II 3 G Ex ec nC [pzc] IIC T6...T4 Gc  II 3 D Ex tc [pzc] IIIC T60 °C ... T80 °C Dc
Directive conformity	
Directive 2014/34/EU	IEC/EN 60079-0 , IEC/EN 60079-2 , IEC/EN 60079-7 , IEC/EN 60079-15 , IEC/EN 60079-31 Supplements: EN 61010-1:2010, EN 61326-3-2:2008, EN 61000-6-2:2005
International approvals	
UL approval	
cULus	Class I, Division 2, Groups A, B, C, D T4 (-40 °C ≤ Ta ≤ 70 °C) Class I, Division 2, Groups A, B, C, D T5 (-40 °C ≤ Ta ≤ 65 °C) Class I, Division 2, Groups A, B, C, D, T6 (-40 °C ≤ Ta ≤ 50 °C) Class II, Division 2, Groups F, G T4 (-40 °C ≤ Ta ≤ 70 °C) Class II, Division 2, Groups F, G T5 (-40 °C ≤ Ta ≤ 65 °C) Class II, Division 2, Groups F, G T6 (-40 °C ≤ Ta ≤ 50 °C)
IECEx approval	Ex ec nC [pzc] IIC T6...T4 Gc Ex tc [pzc] IIIC T60 °C ... T80 °C Dc
General information	
Supplementary information	Type Examination Certificate, Statement of Conformity, Declaration of Conformity. Attention: Declaration of Conformity and instructions have to be observed where applicable. For information see

Accessories

- EPV-7500-AA-01
7500 series purge and pressurization system vent, aluminum body and cap
- EPV-7500-AA-02
7500 series purge and pressurization system vent, aluminum body and cap
- EPV-7500-AA-03
7500 series purge and pressurization system vent, aluminum body and cap
- EPV-7500-AA-04
7500 series purge and pressurization system vent, aluminum body and cap
- EPV-7500-SS-01
7500 series purge and pressurization system vent, aluminum body, stainless steel cap
- EPV-7500-SS-02
7500 series purge and pressurization system vent, aluminum body, stainless steel cap
- EPV-7500-SS-03
7500 series purge and pressurization system vent, aluminum body, stainless steel cap

Release date 2019-07-24 23:13 Date of issue 2019-07-24 70110788_eng.xml

Type Code

7	5	0	0	-	M	T	D	-	P	M	S	W	-	0	1
---	---	---	---	---	---	---	---	---	---	---	---	---	---	---	---

